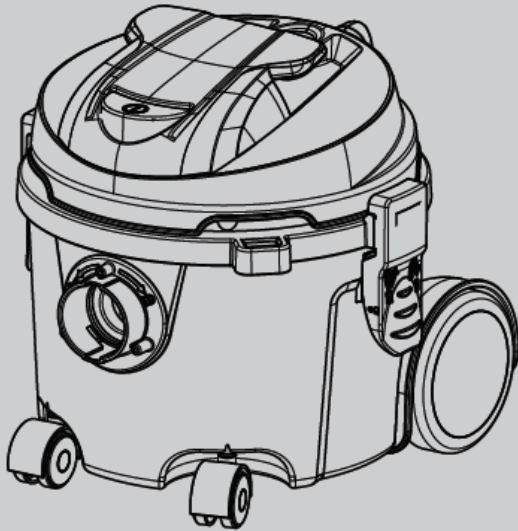




V-CAN-10

Canister Dry Vacuum Cleaner

Parts Manual



Model Part No.:
1244292 V-CAN-10 [120V]
1244295 V-CAN-10 [220/240V]

TennantTrue® Parts

North America / Europe



To view, print or download the parts manual, visit:

www.tennantco.com/manuals

9018757
Rev. 00 (03-2019)

Only use TENNANT Company supplied or equivalent parts.
Parts and supplies may be ordered online, by phone or from any Tennant or Nobles
Authorized Service Center or Distributor.

Before Ordering any parts or supplies, be sure to have the machine model number and
serial number available.

Tennant Company

PO Box 1452
Minneapolis, MN 55440 USA
Phone: (800) 553-8033
www.tennantco.com

Tennant Company N.V.

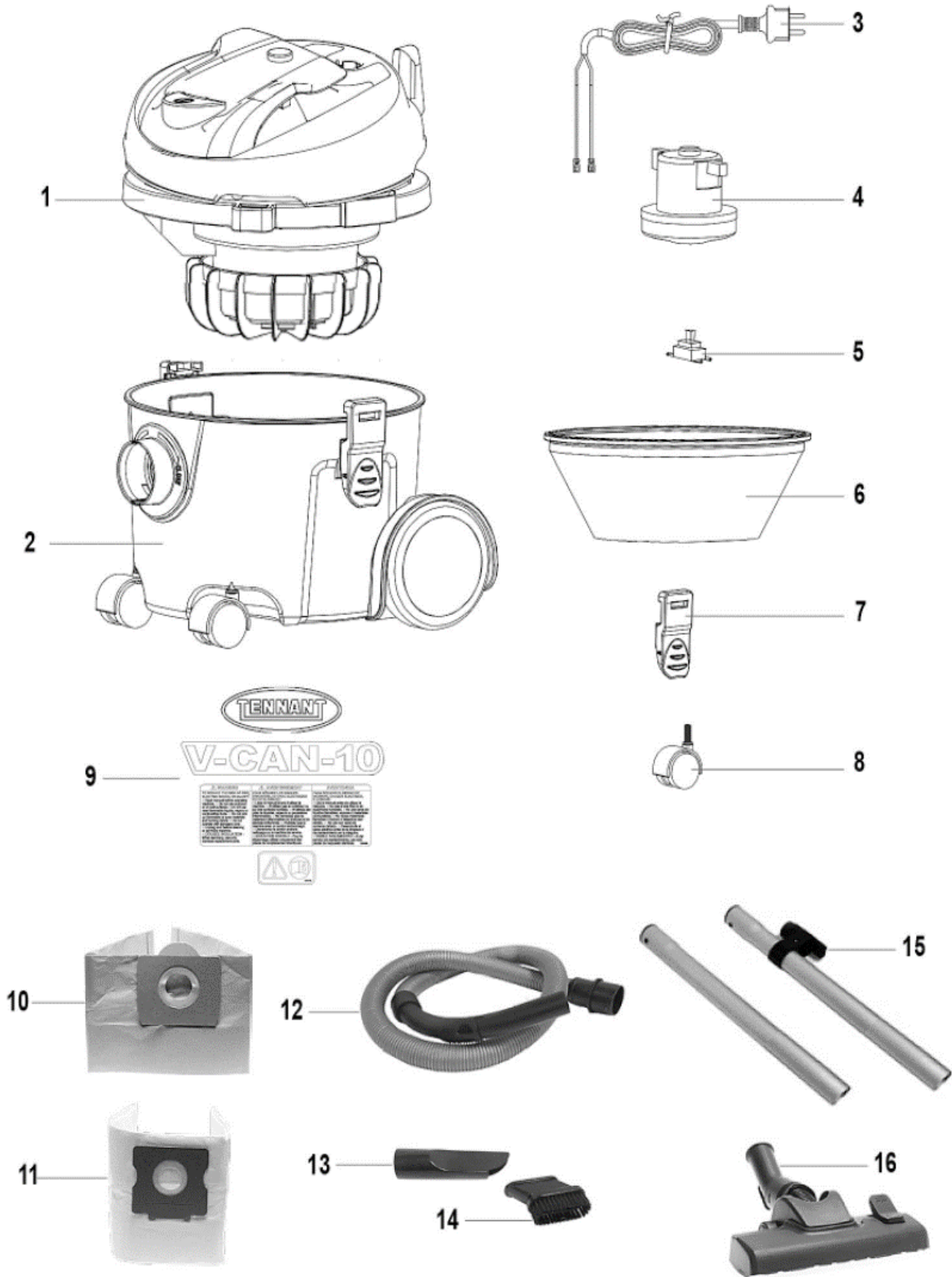
Industrielaan 6 5405 AB
P.O. Box 6 5400 AA
Uden- The Netherlands
europa@tennantco.com
www.tennantco.com

Specifications and parts are subject to change without notice.
Copyright ©2019 TENNANT Company

RECOMMENDED SPARE PARTS

Part No.	Description
9018676	BAG, VACUUM, PAPER [1 PKG = 10 BAGS]
9015821	BAG, VACUUM, FLEECE, HEPA [1 PKG=12 BAGS]
9015951	BAG, VACUUM, FLEECE, HEPA [1 BOX=48 BAGS]
KTRIO5898	FILTER, CLOTH, MAIN
KTRIO5860	HOSE ASSY, VACUUM, HANDLE W/REG [Ø32 MM]
KTRIO5776	WAND SET, ALUMINUM, 2 PIECE [Ø32 MM]
KTRIO5861	TOOL, FLOOR, DRY, DOUBLE USE [Ø32 MM]
KTRIO5899	TOOL KIT, VACUUM [Ø32 MM]
KTRIO5739	CLAMP KIT, VACUUM [V-CAN-10], QTY 2
KTRIO5859	CASTER [V-CAN-10], QTY 2

MACHINE PARTS



MACHINE PARTS

Code	Part No.	Description	Qty
1	KTRIO5737	HOUSING ASSY, POWER, 220-240V [V-CAN-10 EU]	1
1	KTRIO5758	HOUSING ASSY, POWER, 120V [V-CAN-10 NA]	1
2	KTRIO5738	TANK KIT, VACUUM, W/ LABELS [V-CAN-10 EU]	1
2	KTRIO5825	TANK KIT, VACUUM, W/LABELS [V-CAN-10 NA]	1
3	KTRIO5854	CORD, POWER, 220-240V [V-CAN-10 EU]	1
3	KTRIO5855	CORD, POWER, 120V [V-CAN-10, NA]	1
4	KTRIO5856	MOTOR, VACUUM, 220-240V [V-CAN-10 EU]	1
4	KTRIO5857	MOTOR, VACUUM, 120V[V-CAN-10 NA]	1
5	KTRIO5858	SWITCH [V-CAN-10]	1
6	KTRIO5898	FILTER, CLOTH, MAIN [V-CAN-10]	1
7	KTRIO5739	CLAMP KIT, VACUUM [V-CAN-10], QTY 2	2
8	KTRIO5859	CASTER KIT [V-CAN-10], QTY 2	2
9	KTRIO5781	LABEL KIT, VACUUM [V-CAN-10 EU]	1
9	KTRIO5770	LABEL KIT, VACUUM [V-CAN-10 NA]	1
10	9018676	BAG, VACUUM, PAPER [1 PKG = 10 BAGS]	1
11	9015821	BAG, VACUUM, FLEECE, HEPA [1 PKG=12 BAGS]	1
11	9015951	BAG, VACUUM, FLEECE, HEPA [1 BOX=48 BAGS]	1
12	KTRIO5860	HOSE ASSY, VACUUM, HANDLE W/REG [Ø32 MM]	1
▽	KTRIO5899	TOOL KIT, VACUUM [Ø32 MM]	1
▲	N/A	TOOL, VACUUM, CREVICE [Ø32 MM]	1
▲	N/A	TOOL, VACUUM, SMALL BRUSH [Ø32 MM]	1
15	KTRIO5776	WAND SET, ALUMINUM, 2 PIECE [Ø32 MM]	1
16	KTRIO5861	TOOL, FLOOR, DRY, DOUBLE USE [Ø32 MM]	1

▽ ASSEMBLY

▲ INCLUDED IN ASSEMBLY

N/A = NOT AVAILABLE SEPARATELY - MUST ORDER KIT

ELECTRICAL DIAGRAM

